



FULL RANGE SPEAKER UNIT

FE208EΣ

Features

- HP (Hyperbolic Paraboloid) shell diaphragm
- 'ES cone' paper made of banana plant's fiber
- UDR tangential edge / damper
- \varnothing 156mm large ferrite magnet



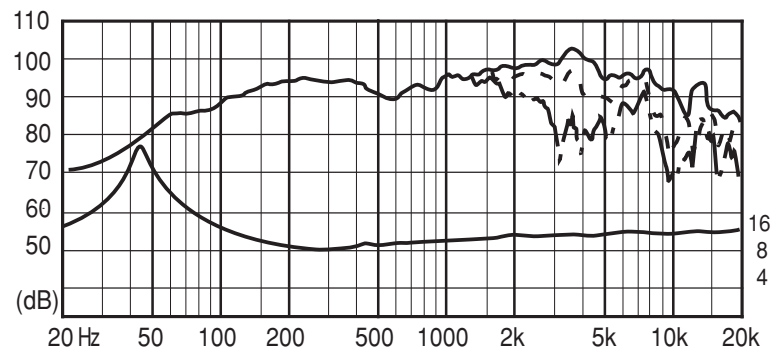
Specifications

&

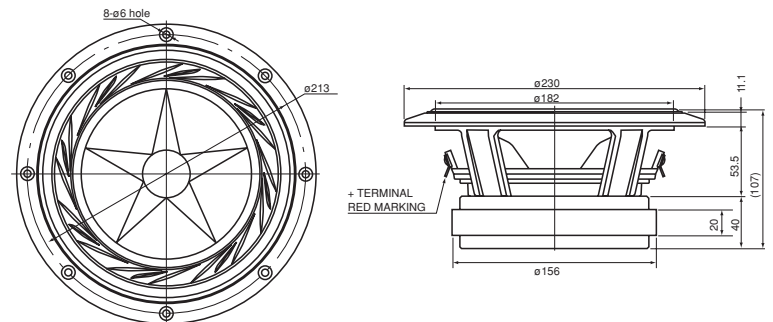
Thiele/Small Parameters

Size	:	200 mm / 8 in
Voice Coil Diameter	:	35 mm / 1.3 in
Cast / Stamped	:	Cast
Impedance	:	8 Ω
Reproduction Frequency Response	:	fs - 14 kHz
Sound Pressure Level	:	97 dB/W(m)
Rated Input	:	40 W
Music Power	:	120W
Magnet Material	:	Ferrite
Magnet Weight	:	
(main)	:	1,408.7 g / 3.106 lb
(cancel)	:	n/a g / n/a lb
Net Weight	:	4,800 g / 10.58 lb

Frequency Response / Impedance



Dimensions & Mounting Information



a :	80 mm
D :	144 mm
Sd :	0.0201 m ²
Zn :	8 Ω
Fs :	42 Hz
Re :	6.4 Ω
Le :	0.0517 mH
Qms :	6.191
Qes :	0.19
Qts :	0.18
Mms :	13.3 g
BL :	10.8 Telsa/m
Vas :	60.1 L
Xmax :	1.25 mm
Eff/ η 0 :	2.278 %
Cms :	1.069 mm/N
EBP :	221.05

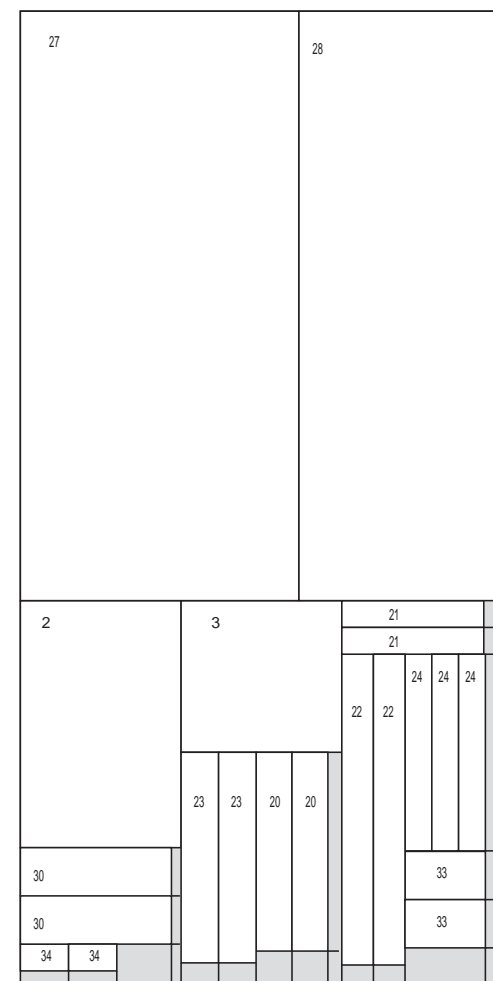
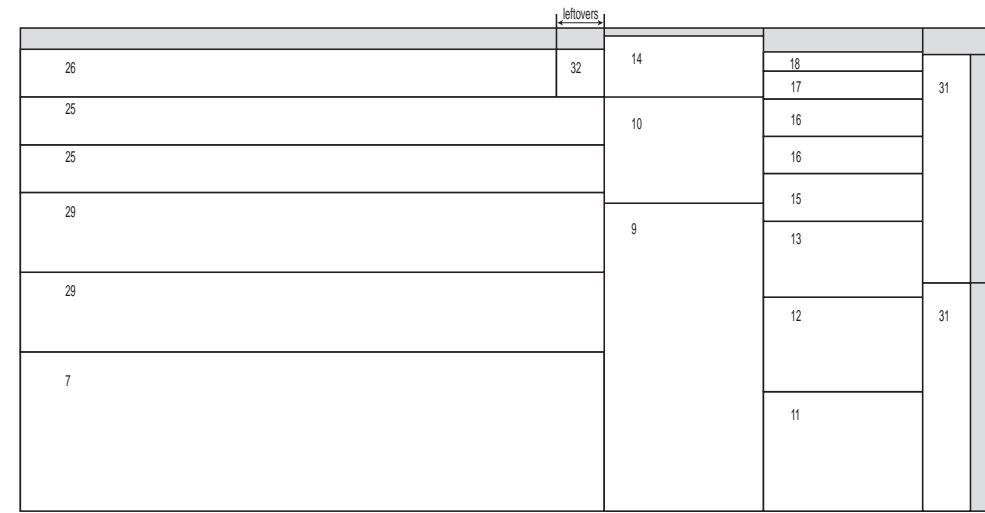
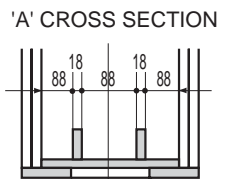
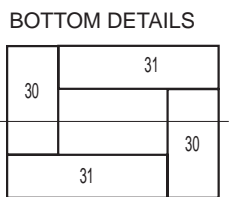
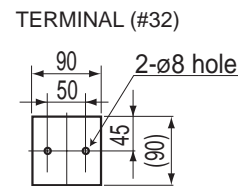
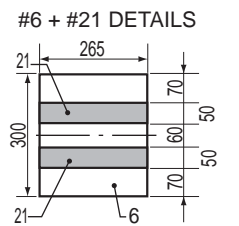
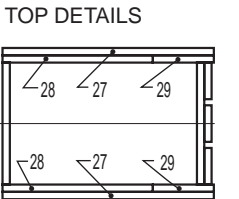
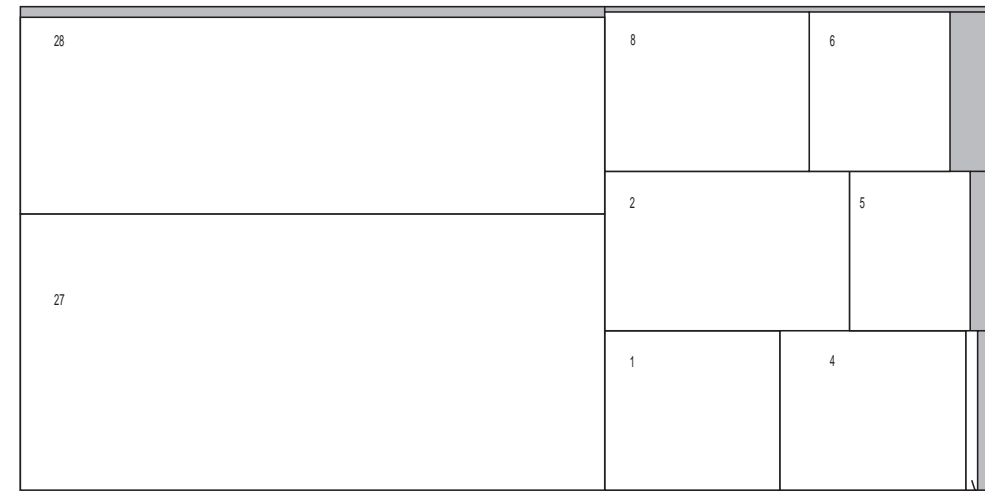
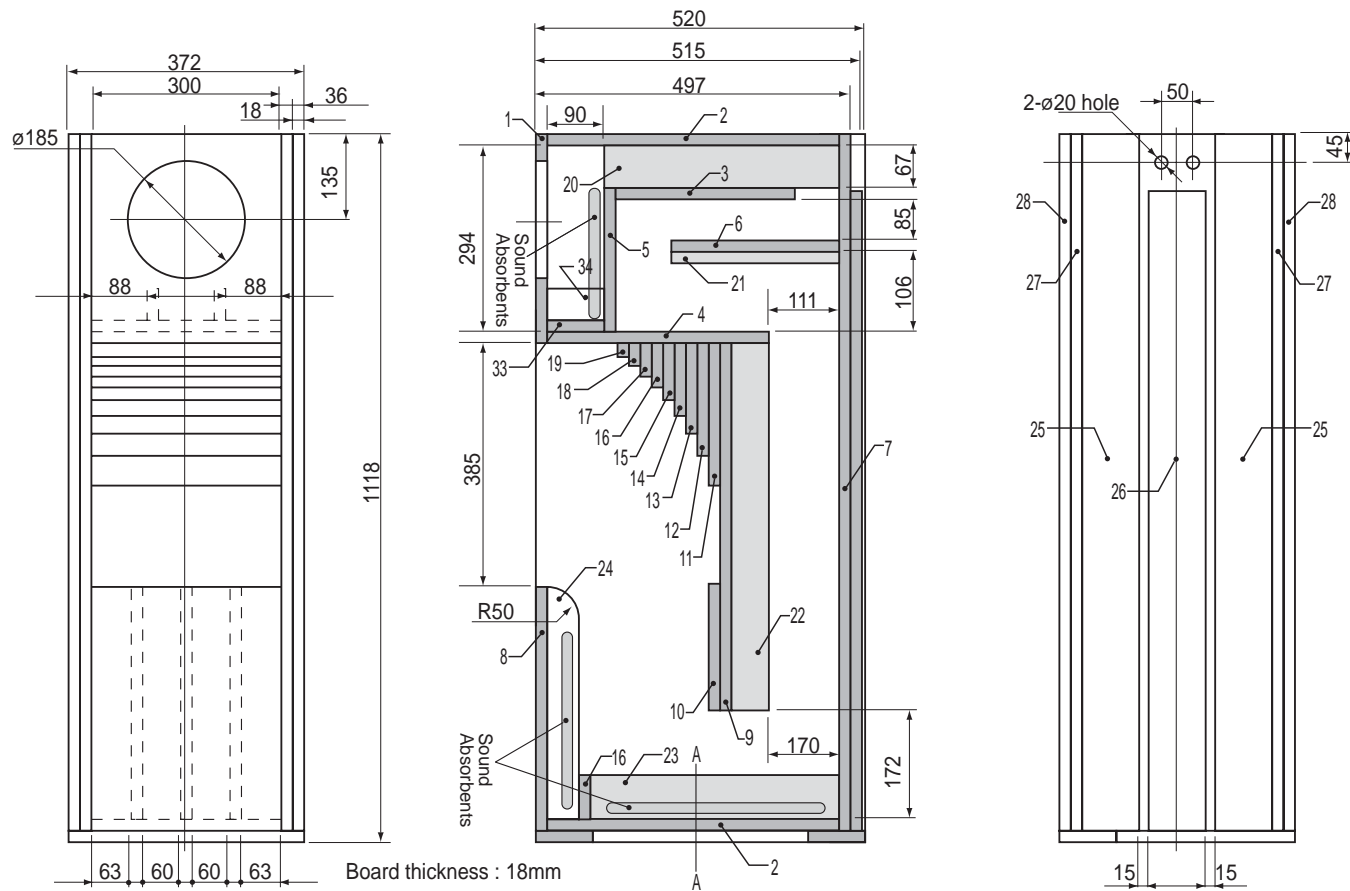
Overall Diameter	:	230 mm / 9 in
Baffle Hole Diameter	:	185 mm / 7 in
Depth	:	93.5 mm / 4 in



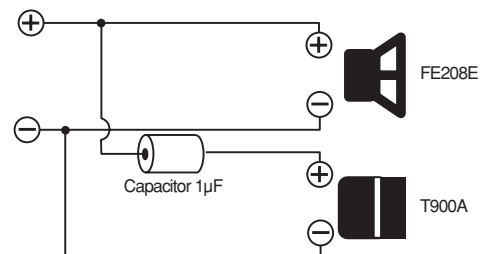
RECOMMENDED ENCLOSURE

FE208EΣ

Recommended Back Loaded Horn Type Enclosure



- This box plan is the full-fledged back loaded horn enclosure for FE208Esigma.
- Well tuned low frequency realizes tight and massive sound with perceptible fast response.
- Adding T900A super tweeter on this system, the briskness of mid-frequency gets better.



- This large-scaled enclosure brings the dynamic sound only the back loaded horn system would reproduce.

Cutting Size Chart (1set, unit:mm)

No.	Size (W x H)	Qty	No.	Size (W x H)	Qty
1	300 x 330	1	18	300 x 36	1
2	300 x 461	2	19	300 x 22	1
3	300 x 283	1	20	371 x 67	2
4	300 x 350	1	21	265 x 50	2
5	300 x 227	1	22	580 x 59	2
6	300 x 265	1	23	393 x 70	2
7	300 x 1100	1	24	367 x 50	3
8	300 x 385	1	25	1100 x 90	2
9	300 x 580	1	26	1010 x 90	1
10	300 x 200	1	27	1100 x 520	2
11	300 x 225	1	28	1100 x 370	2
12	300 x 178	1	29	1100 x 150	2
13	300 x 143	1	30	282 x 90	2
14	300 x 115	1	31	430 x 90	2
15	300 x 90	1	32	90 x (90)	1
16	300 x 70	2	33	150 x 90	2
17	300 x 53	1	34	90 x 50	2

