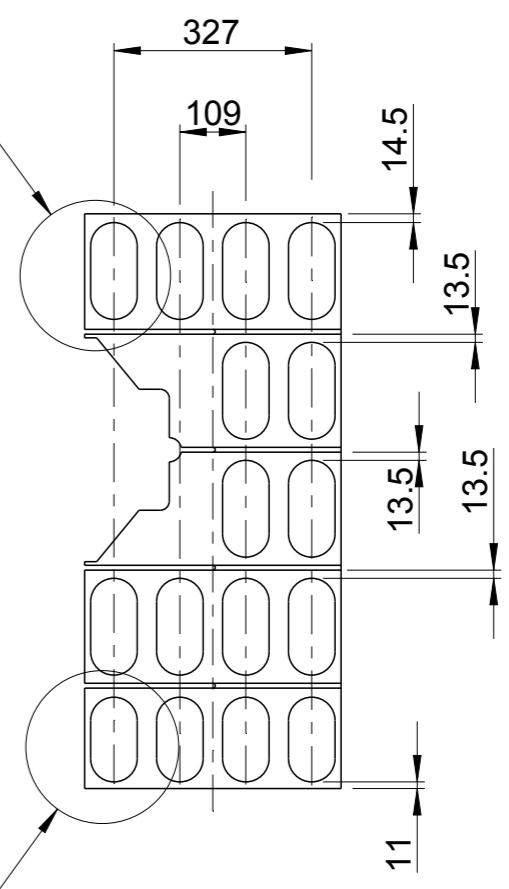


DETAIL 03 (12x)

DETAIL 01

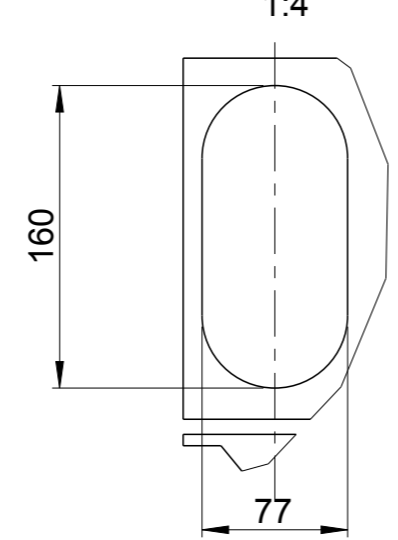
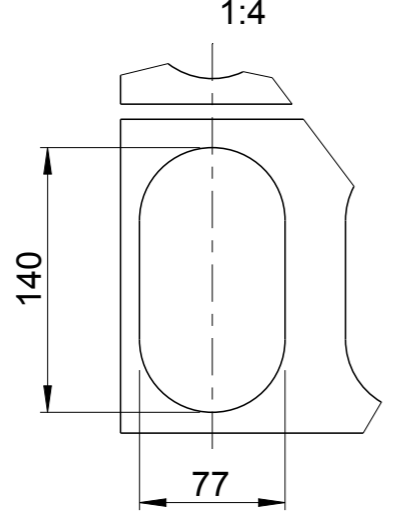
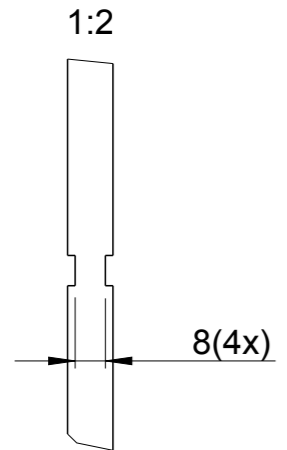
DETAIL 02 (4x)



DETAIL 01

DETAIL 02 (4x)

DETAIL 03 (12x)



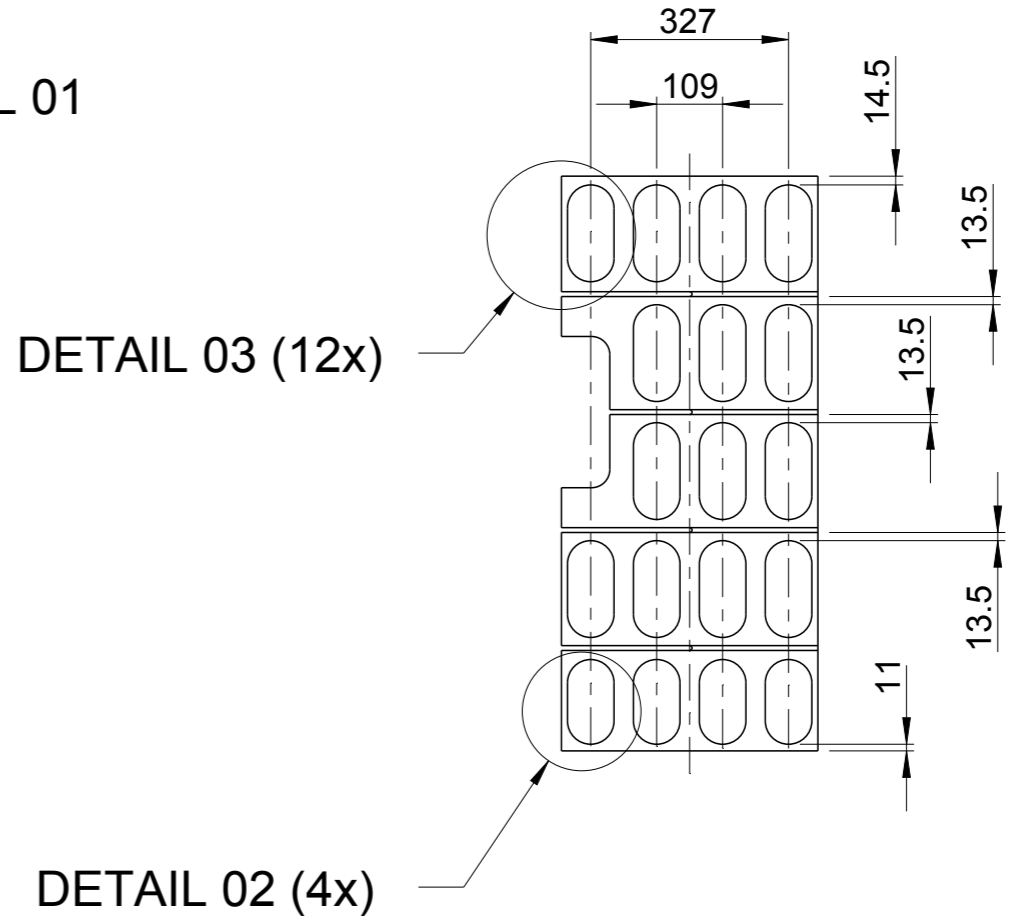
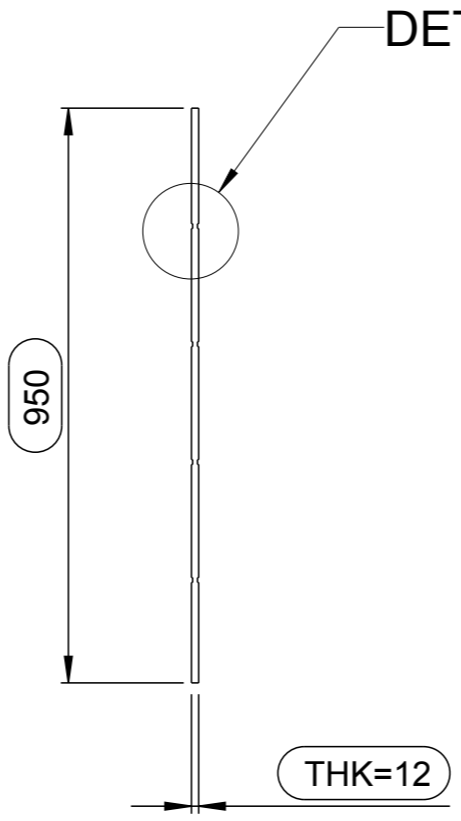
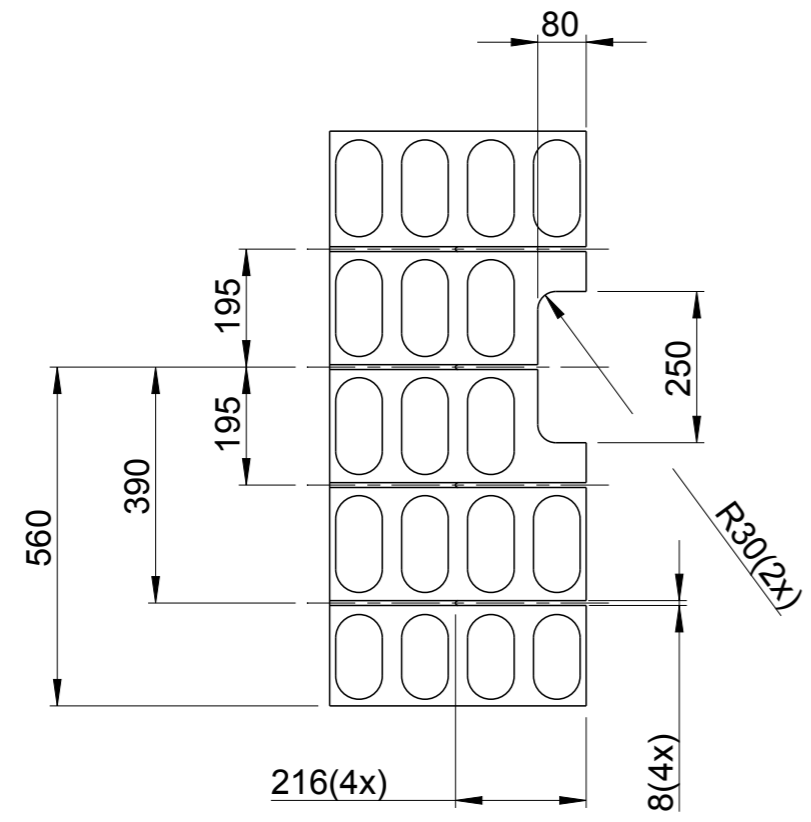
MATERIAL: MDF OR BIRCH PLYWOOD

DIMENSIONS:		TOLERANCES UNLESS OTHERWISE SPECIFIED:	
mm		0 PLC	±.
		1 PLC	±.
		2 PLC	±.
		3 PLC	±.
		4 PLC	±.
ANGLES	1		
SURFACE TEXTURE			

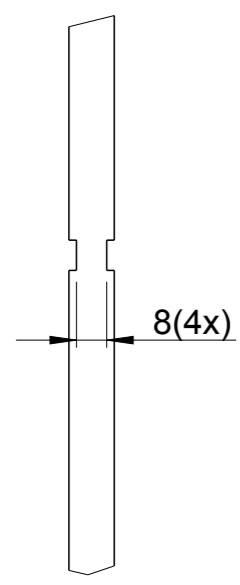
CHK	-	MATERIAL	-	HEAT TREAT	-
APVD	-	BD-Design			
NAME MARTIX_LONG_1 REF2010_CABINET					
SCALE	SIZE	DRAWING NO	SHEET	OF	REV
2:25	A3	REF2010_MATRIX_LONG_11	11	1	A

THIS INFORMATION IS CONFIDENTIAL AND PROPRIETARY TO BD-Design. IT MAY NOT BE DISCLOSED TO ANYONE, OTHER THAN BD-Design PERSONNEL, WITHOUT AUTHORIZATION FROM BD-Design. http://www.bd-design.nl

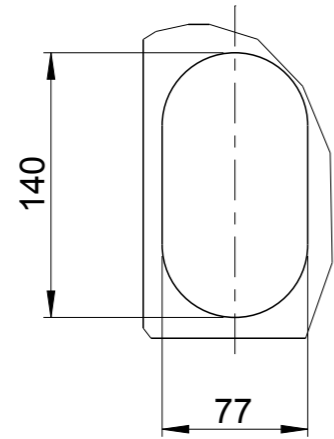
D
C
B
A



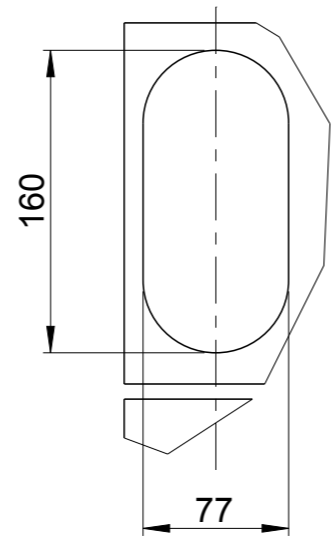
DETAIL 01
1:2



DETAIL 02 (4x)
1:4



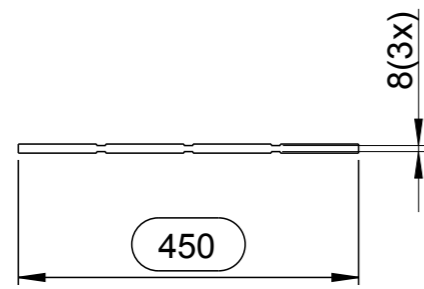
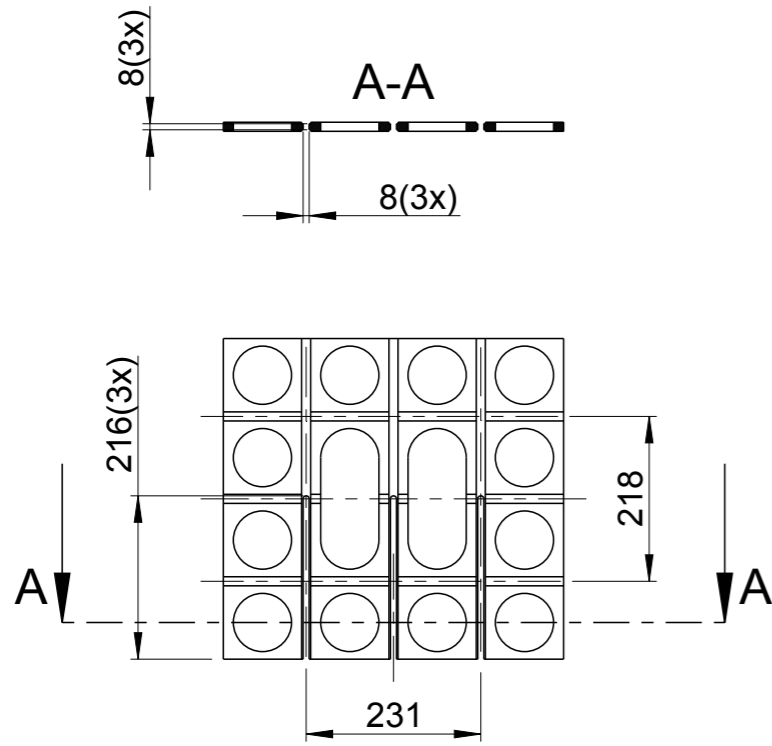
DETAIL 03 (12x)
1:4



MATERIAL MDF OR BIRCH PLYWOOD

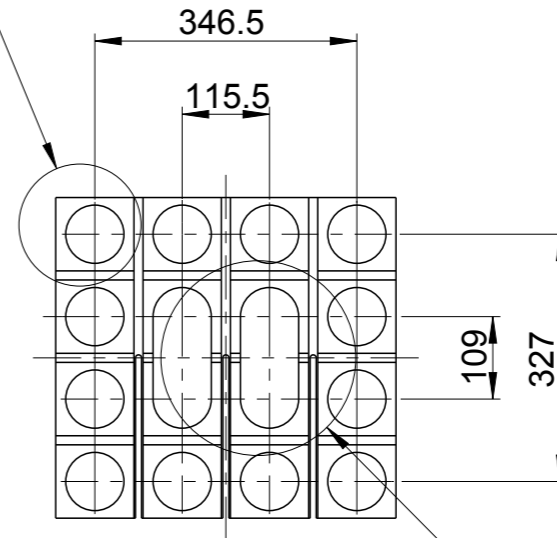
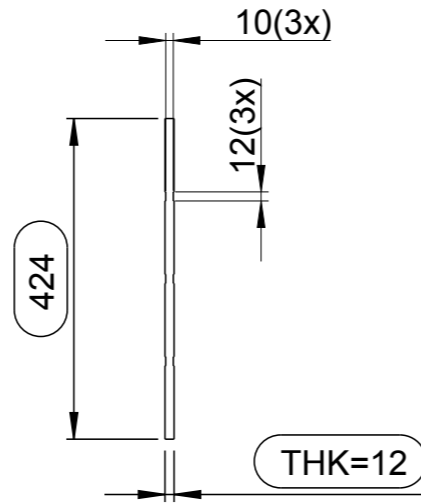
DIMENSIONS: mm		TOLERANCES UNLESS OTHERWISE SPECIFIED:	
	0 PLC	±	
	1 PLC	±	
	2 PLC	±	
	3 PLC	±	
	4 PLC	±	
ANGLES	1		
SURFACE TEXTURE			

CHK	-	MATERIAL	-	HEAT TREAT	-
APVD	-	BD-Design			
NAME MATRIX_LONG_2 REF2010_CABINET					
SCALE	SIZE	DRAWING NO	SHEET	OF	REV
2:25	A3	REF2010_MATRIX_LONG2	1	1	



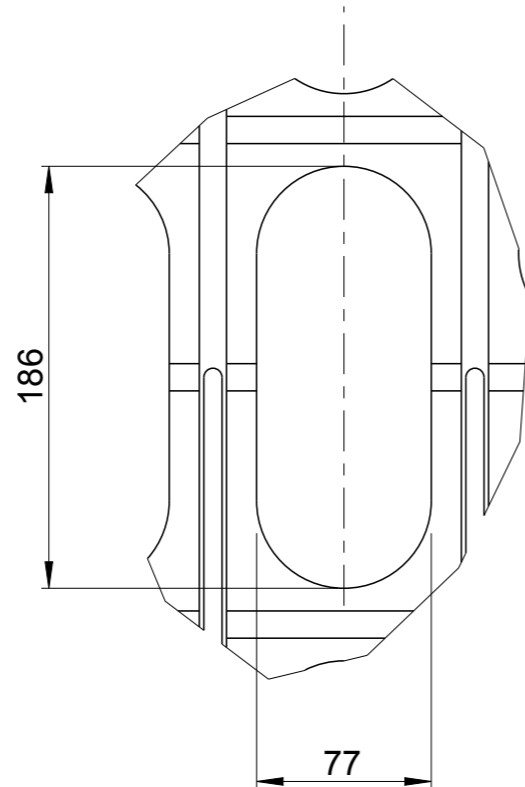
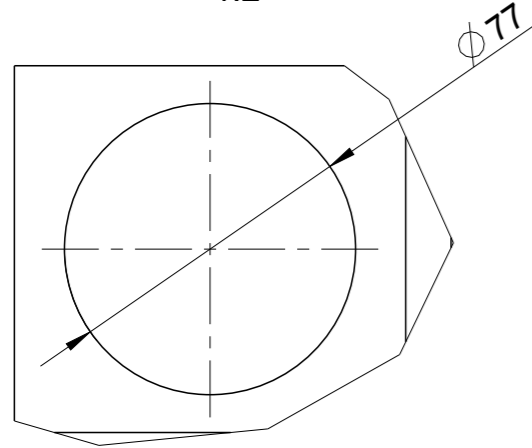
DETAIL 02 (2x)
3:10

DETAIL 01 (12x)



DETAIL 02 (2x)

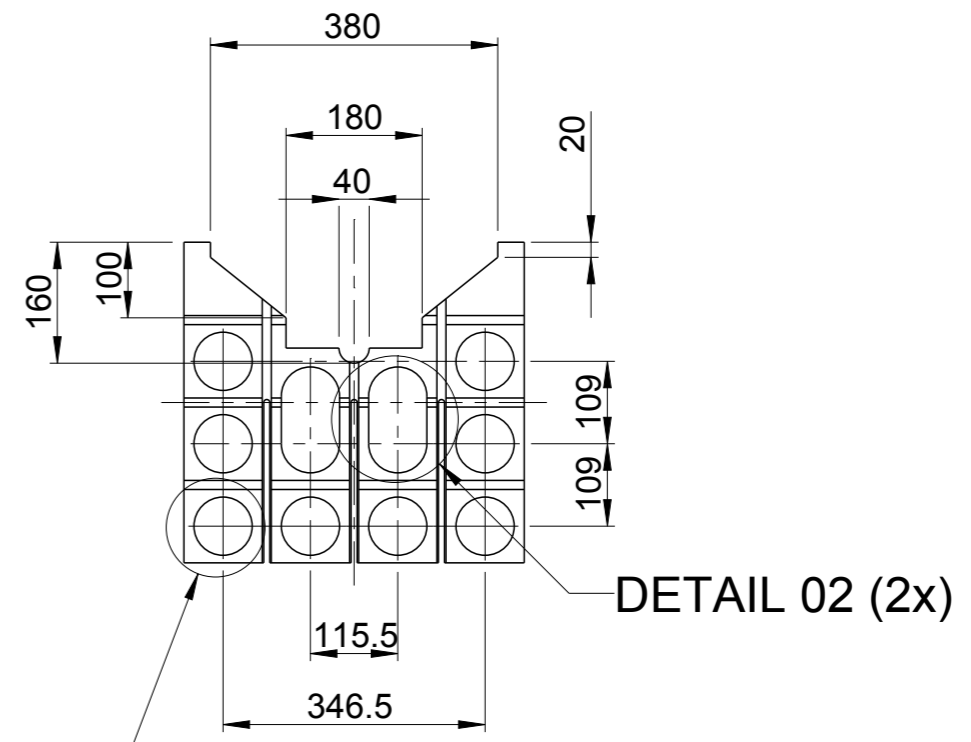
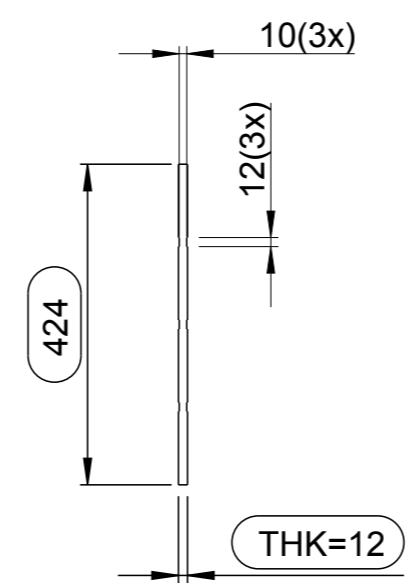
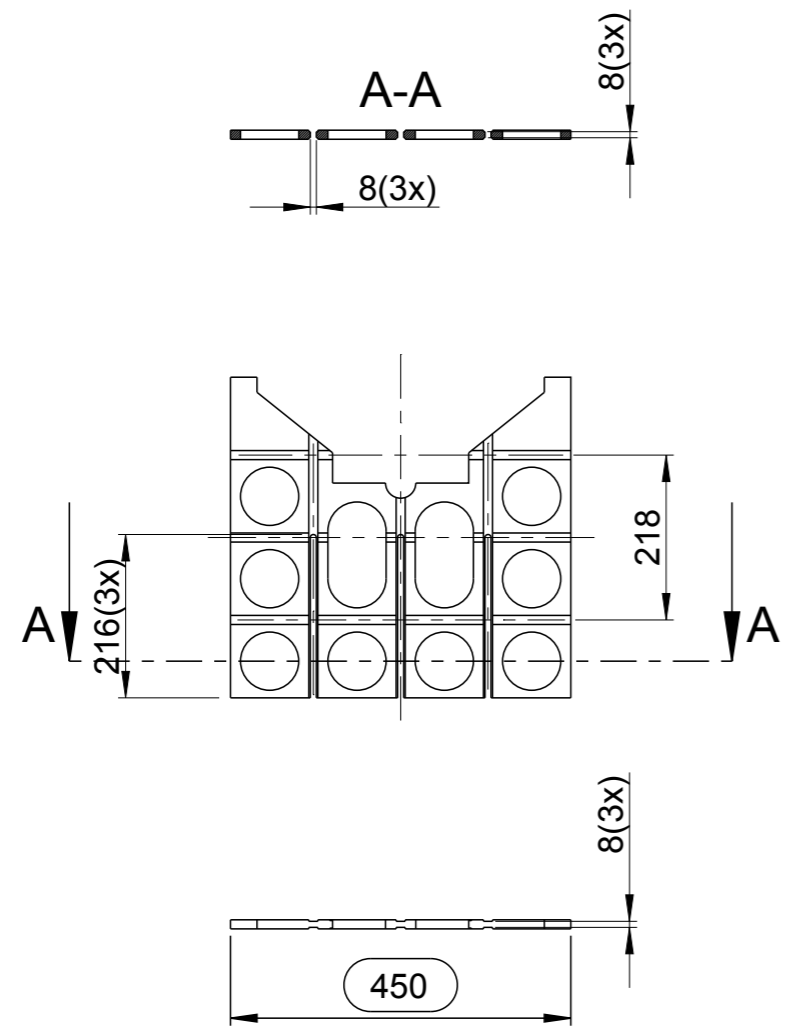
DETAIL 01 (12x)
1:2



MATERIAL MDF OR BIRCH PLYWOOD

DIMENSIONS:		TOLERANCES UNLESS OTHERWISE SPECIFIED:	
mm		0 PLC	±
		1 PLC	±
		2 PLC	±
		3 PLC	±
		4 PLC	±
ANGLES	1		
SURFACE TEXTURE			

CHK	-	MATERIAL	-	HEAT TREAT	-
APVD	-	BD-Design			
NAME MARTIX_SHORT_1 REF2010_CABINET					
SCALE	SIZE	DRAWING NO	SHEET	OF	REV
1:10	A3	REF2010_MATRIX_SHORT11	1	1	

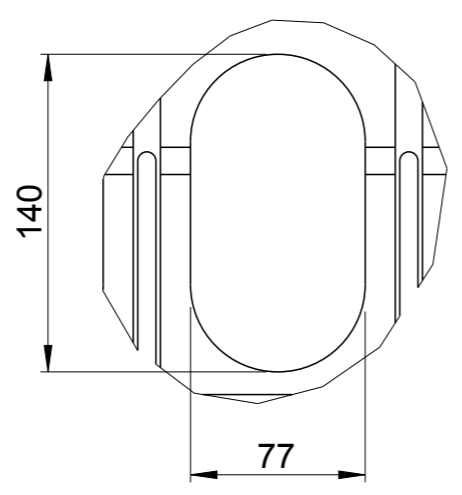
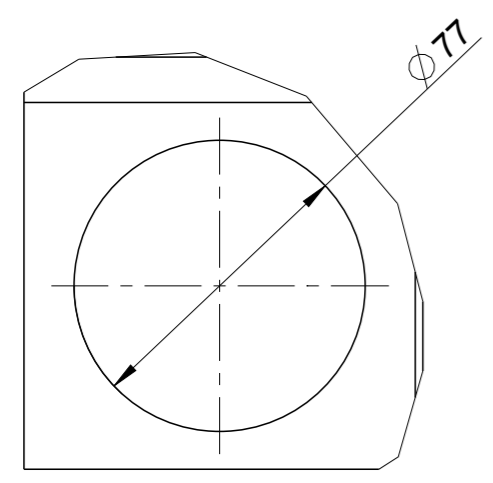


DETAIL 01 (8x)

DETAIL 02 (2x)

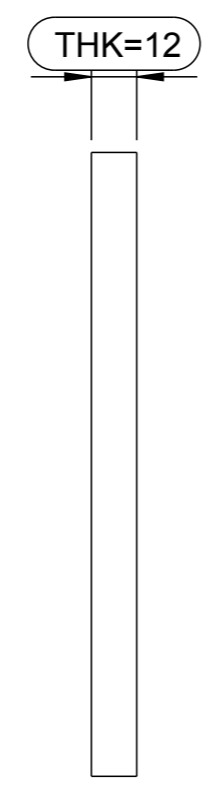
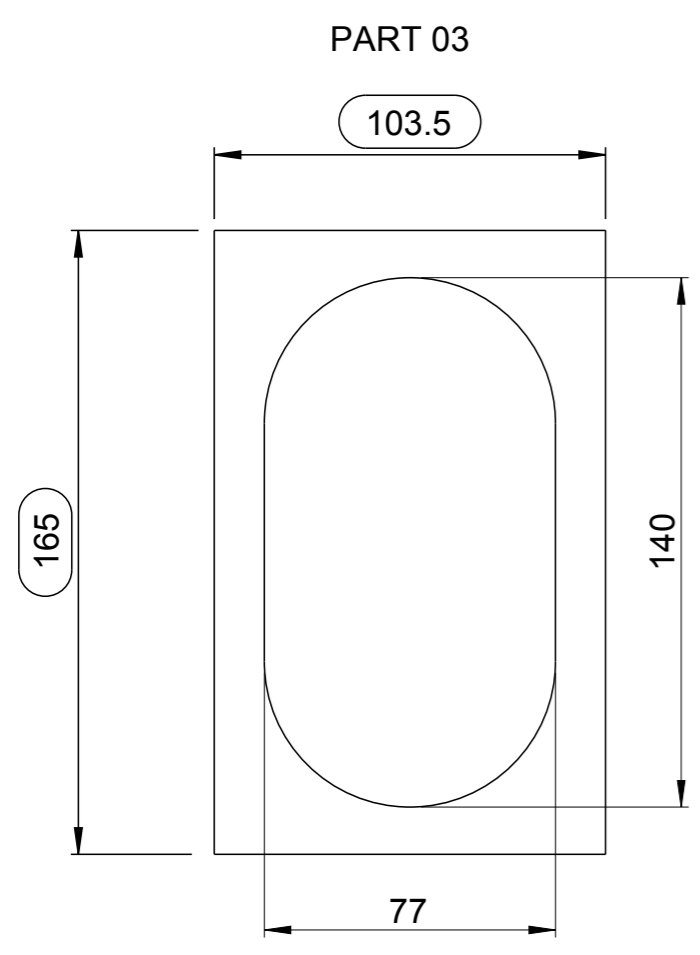
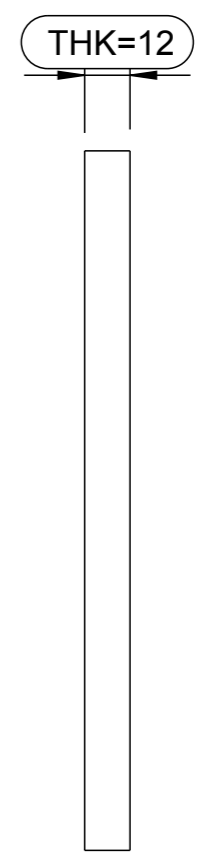
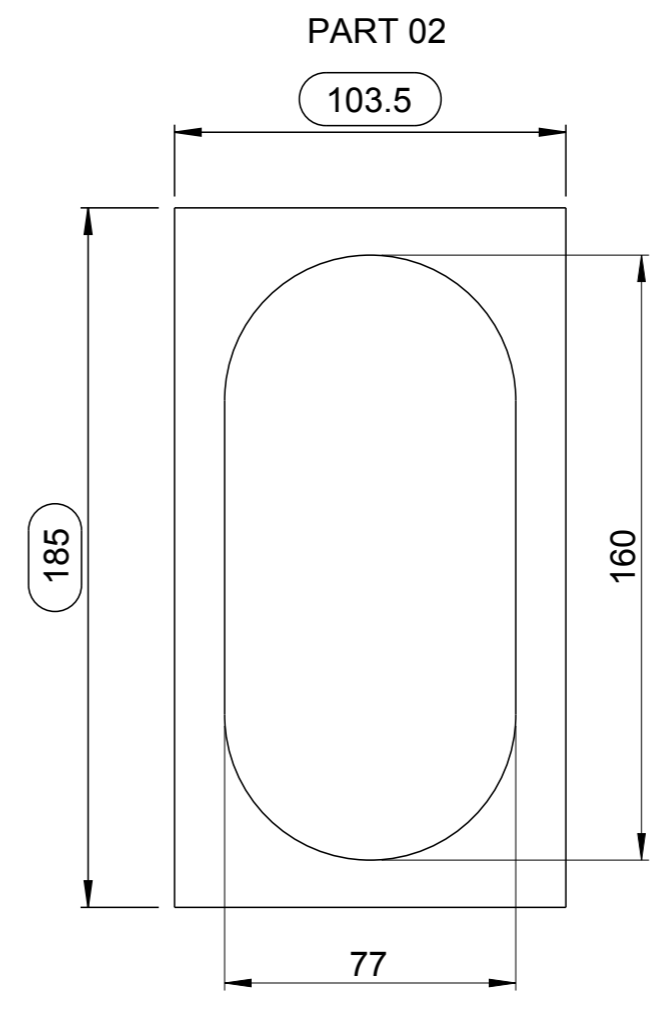
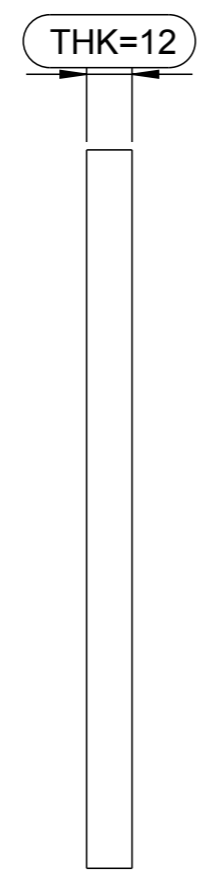
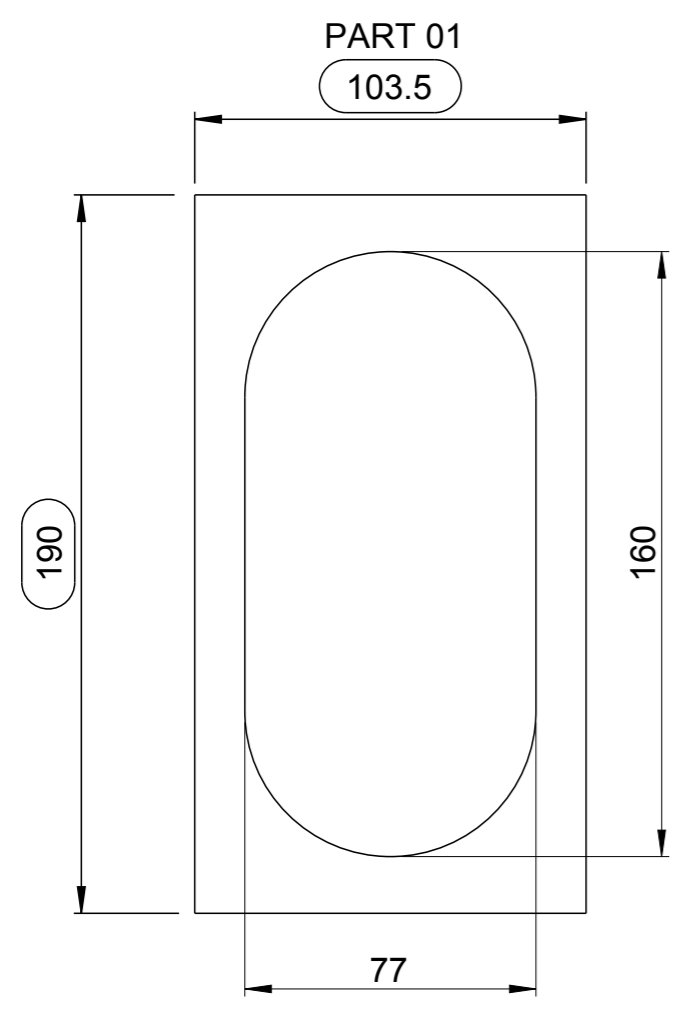
DETAIL 01 (8x)
1:2

DETAIL 02 (2x)
3:10



DIMENSIONS:		TOLERANCES UNLESS OTHERWISE SPECIFIED:	
mm		0 PLC	±
		1 PLC	±
		2 PLC	±
		3 PLC	±
		4 PLC	±
ANGLES	1		
SURFACE TEXTURE			

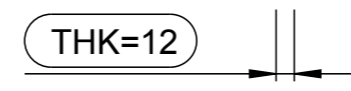
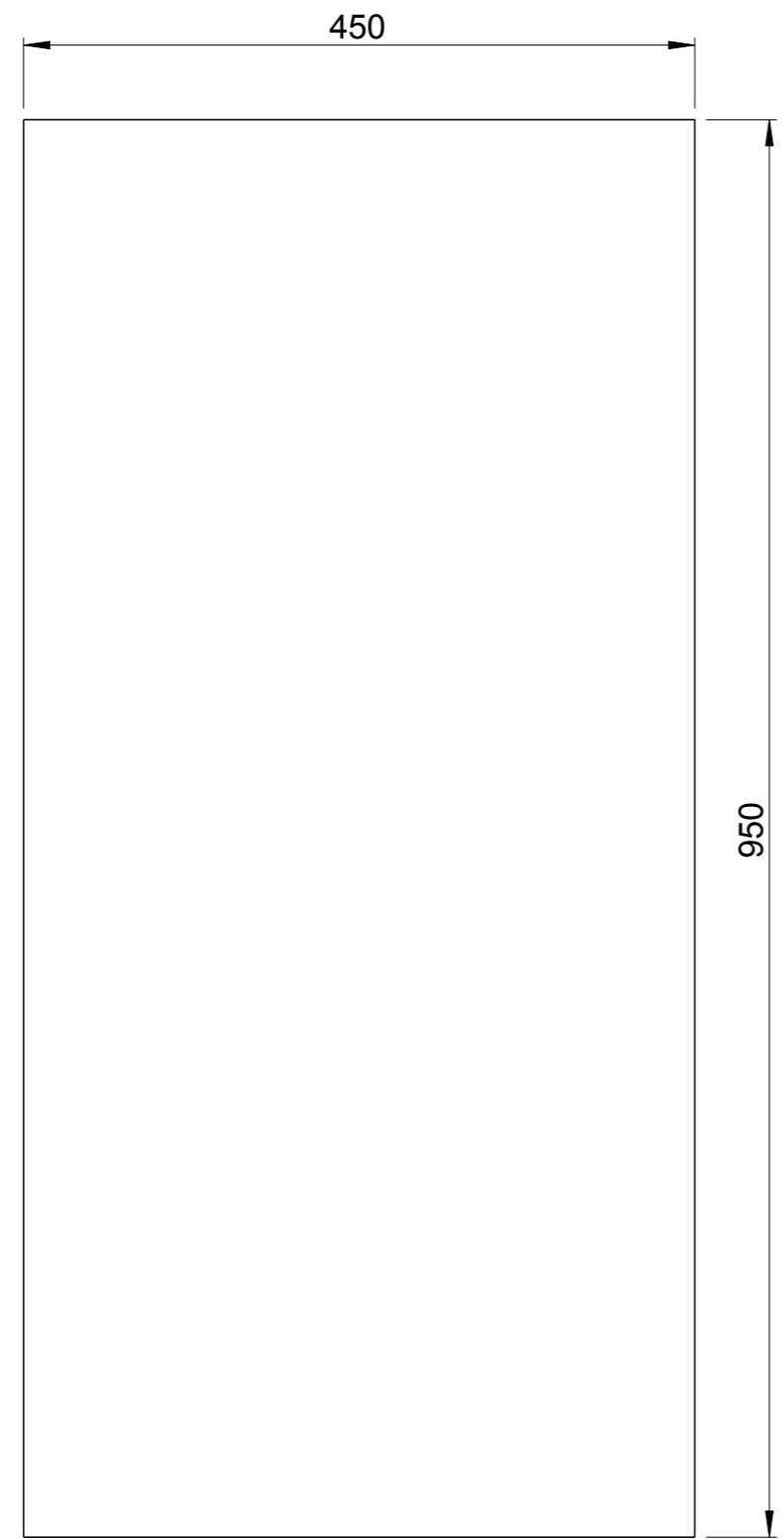
CHK	-	MATERIAL	-	HEAT TREAT	-
APVD	-	BD-Design			
NAME MATRIX_SHORT_2 REF2010_CABINET					
SCALE	SIZE	DRAWING NO	SHEET	OF	REV
1:10	A3	REF2010_MATRIX_SHORT12	1	1	



!
 10x PART 01
 18x PART 02
 10x PART 03

MATERIAL MDF OR BIRCH PLYWOOD

DWN		-	MATERIAL	-	HEAT TREAT	-
CHK		-	BD-Design			-
APVD		-				
NAME matrix_filling_parts.drw						
SCALE		1:2	SIZE	A3	DRAWING NO	MATRIX_FILLING_PARTS1
SURFACE TEXTURE		√		SHEET	1	OF 1
ANGLES		1	REV			



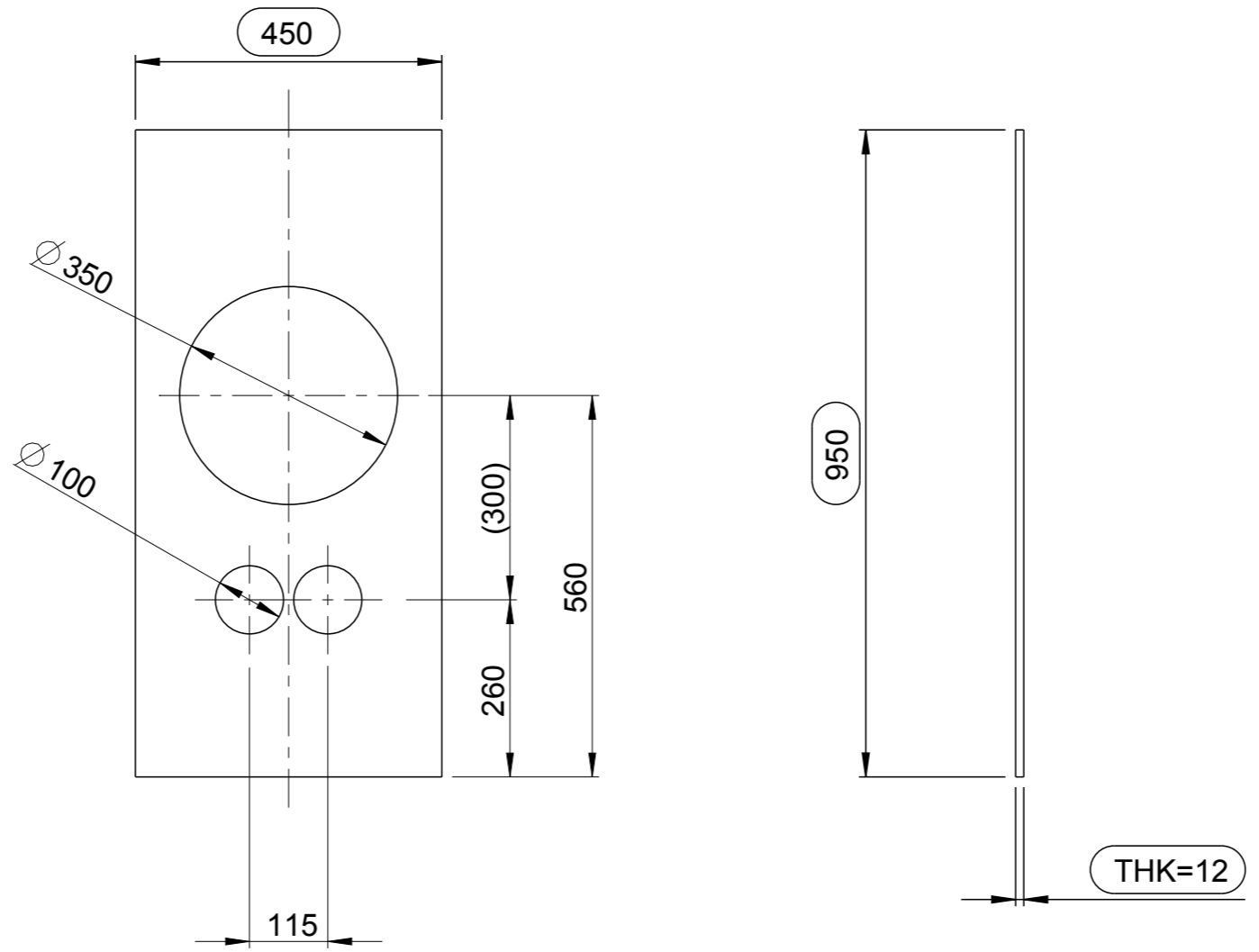
MATERIAL: MDF OR BIRCH PLYWOOD

THIS INFORMATION IS CONFIDENTIAL AND PROPRIETARY TO BD-Design
IT MAY NOT BE DISCLOSED TO ANYONE, OTHER THAN BD-Design PERSONNEL,
WITHOUT AUTHORIZATION FROM BD-Design
http://www.bd-design.nl

DIMENSIONS:		TOLERANCES UNLESS OTHERWISE SPECIFIED:	
mm		0 PLC	±.
		1 PLC	±.
ANGLES 1		2 PLC	±.
SURFACE TEXTURE		3 PLC	±.
		4 PLC	±.

CHK	-	MATERIAL	-	HEAT TREAT	-
APVD	-	BD-Design			
NAME BACK_PLATE REF2010_CABINET					
SCALE	SIZE	DRAWING NO	SHEET	OF	REV
1:5	A3	REF2010_BACK_PLATE	1	1	A

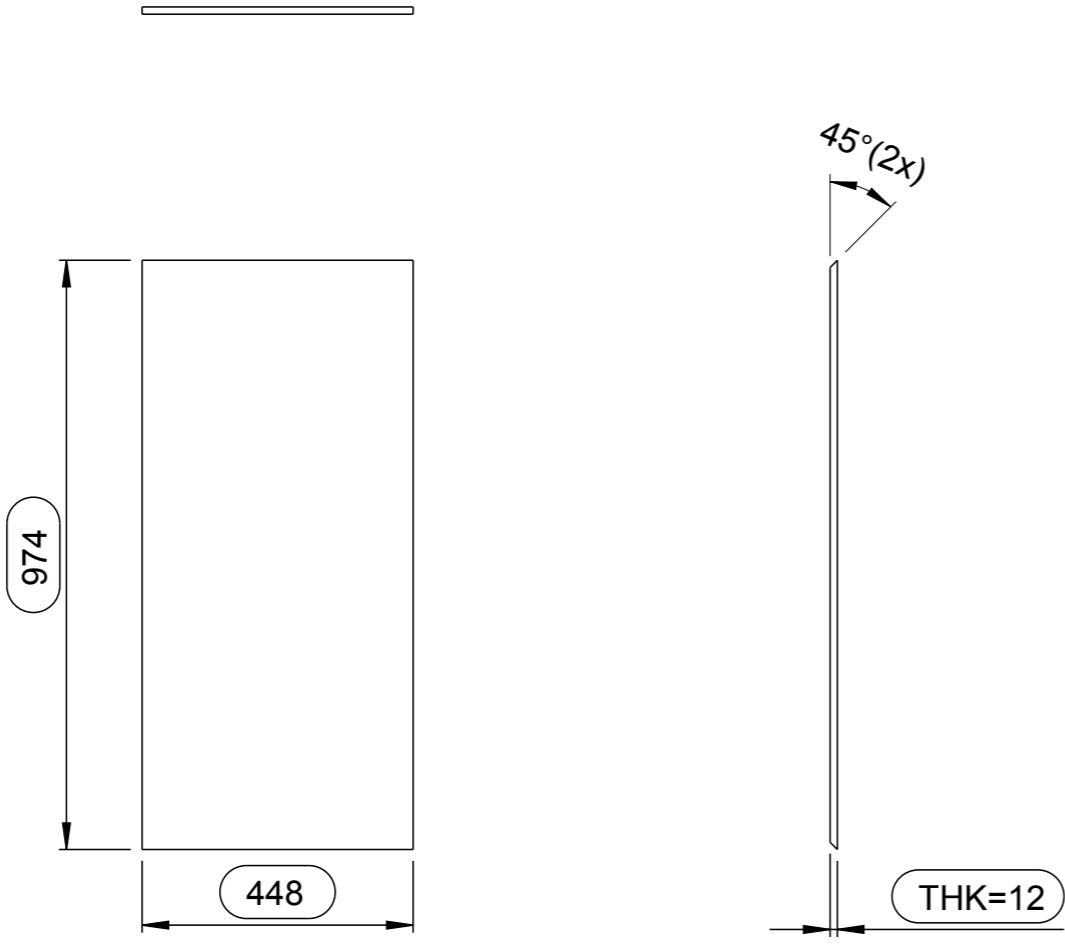
D
C
B
A



MATERIAL: MDF OR BIRCH PLYWOOD

DIMENSIONS:		TOLERANCES UNLESS OTHERWISE SPECIFIED:	
mm		0 PLC	±.
		1 PLC	±.
		2 PLC	±.
		3 PLC	±.
		4 PLC	±.
ANGLES	1		
SURFACE TEXTURE			

CHK	-	MATERIAL	-	HEAT TREAT	-
APVD	-	BD-Design			
NAME FRONT_PLATE REF2010_CABINET					
SCALE	SIZE	DRAWING NO	SHEET	OF	REV
1:10	A3	REF2010_FRONT_PLATE1	1	1	A



MATERIAL: MDF OR BIRCH PLYWOOD

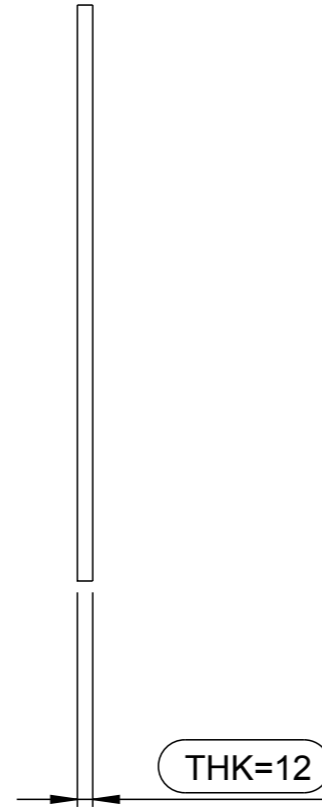
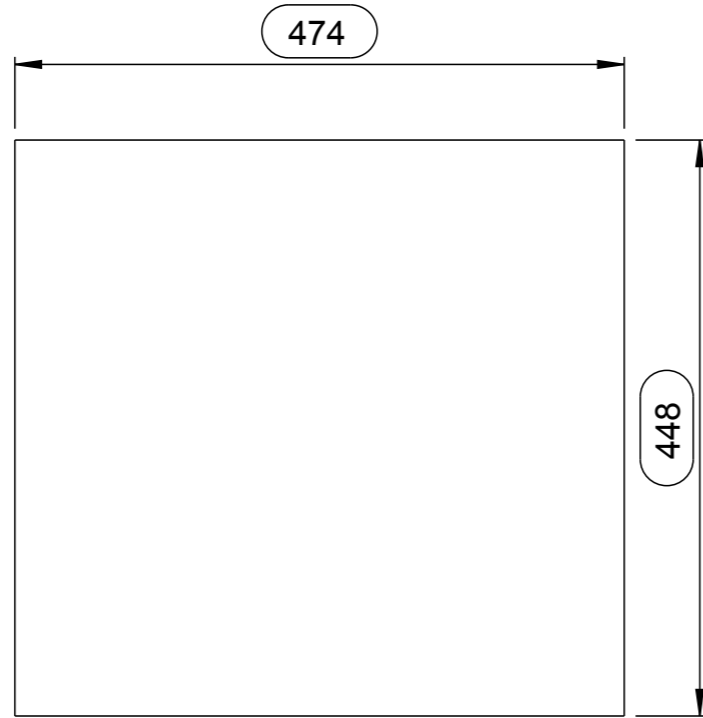
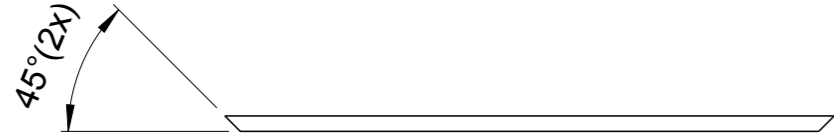
THIS INFORMATION IS CONFIDENTIAL AND PROPRIETARY TO BD-Design
IT MAY NOT BE DISCLOSED TO ANYONE, OTHER THAN BD-Design PERSONNEL,
WITHOUT AUTHORIZATION FROM BD-Design
http://www.bd-design.nl

DIMENSIONS: mm		TOLERANCES UNLESS OTHERWISE SPECIFIED:	
		0 PLC	±.
		1 PLC	±.
		2 PLC	±.
		3 PLC	±.
		4 PLC	±.
ANGLES	1		
SURFACE TEXTURE			

CHK	-	MATERIAL	-	HEAT TREAT	-
APVD	-	BD-Design			
NAME SIDE_PLATE REF2010_CABINET					
SCALE	SIZE	DRAWING NO	SHEET	OF	REV
2:25	A3	REF2010_SIDE_PLATE	1	1	A

D
C
B
A

USED ON -



MATERIAL: MDF OR BIRCH PLYWOOD

DIMENSIONS: mm		TOLERANCES UNLESS OTHERWISE SPECIFIED:	
	0 PLC ±		
	1 PLC ±-		
	2 PLC ±-		
	3 PLC ±-		
	4 PLC ±-		
ANGLES 1			
SURFACE TEXTURE			

CHK -	MATERIAL -	HEAT TREAT -
APVD -	BD-Design	
NAME TOP-BOTTOM_PLATE REF2010_CABINET		
SCALE 17:100	SIZE A3	DRAWING NO REF2010_TOP_BOTTOM_PLATE
	SHEET 1	REV A

D
C
B
A