

Fostex®

FULL RANGE SPEAKER UNIT

FE108EΣ

Features

- HP (Hyperbolic Paraboloid) shell diaphragm
- 'ES cone' paper made of banana plant's fiber
- UDR tangential edge / damper
- ø 90mm large ferrite magnet

Specifications

&

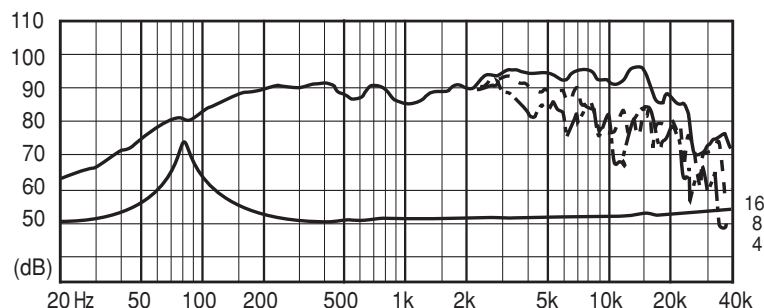
Thiele/Small Parameters

Size	:	100 mm / 4 in
Voice Coil Diameter	:	20 mm / 0.8 in
Cast / Stamped	:	Cast
Impedance	:	8 Ω
Reproduction Frequency Response	:	fs - 23 kHz
Sound Pressure Level	:	90 dB/W(m)
Rated Input	:	8 W
Music Power	:	24 W
Magnet Material	:	Ferrite
Magnet Weight	:	
(main)	:	400 g / 0.882 lb
(cancel)	:	g / lb
Net Weight	:	1,200 g / 2.646 lb

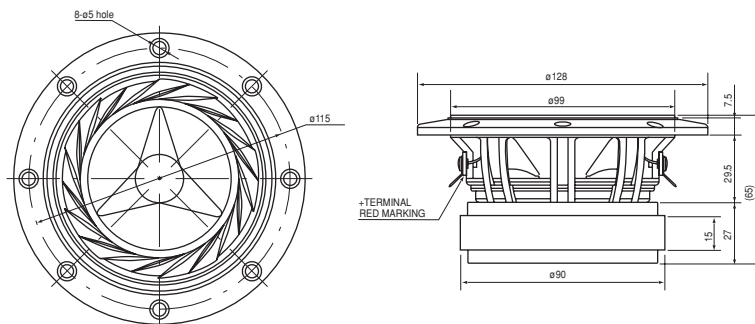
a	:	40 mm
D	:	69.2 mm
Sd	:	0.005 m ²
Zn	:	8 Ω
Fs	:	77 Hz
Re	:	6.8 Ω
Le	:	0.038 mH
Qms	:	7.79
Qes	:	0.32
Qts	:	0.3
Mms	:	2.7 g
BL	:	5.2 Telsa/m
Vas	:	5.7 L
Xmax	:	0.28 mm
Eff/η0	:	0.78 %
Cms	:	1.59 mm/N
EBP	:	240.63



Frequency Response / Impedance

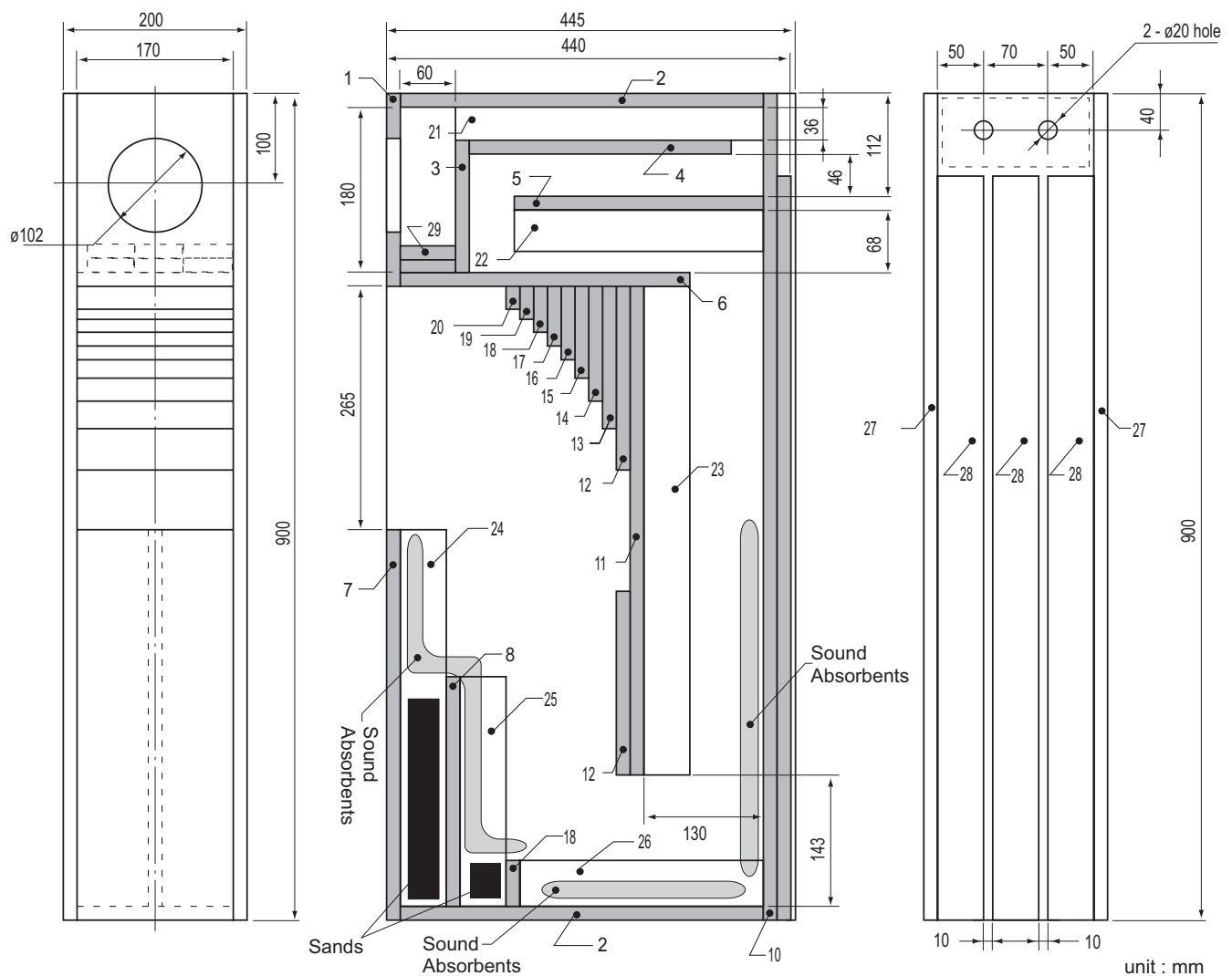


Dimensions & Mounting Information



Overall Diameter	:	128 mm / 5.1 in
Baffle Hole Diameter	:	99 mm / 3.9 in
Depth	:	102 mm / 4.1 in
	:	65 mm / 2.6 in

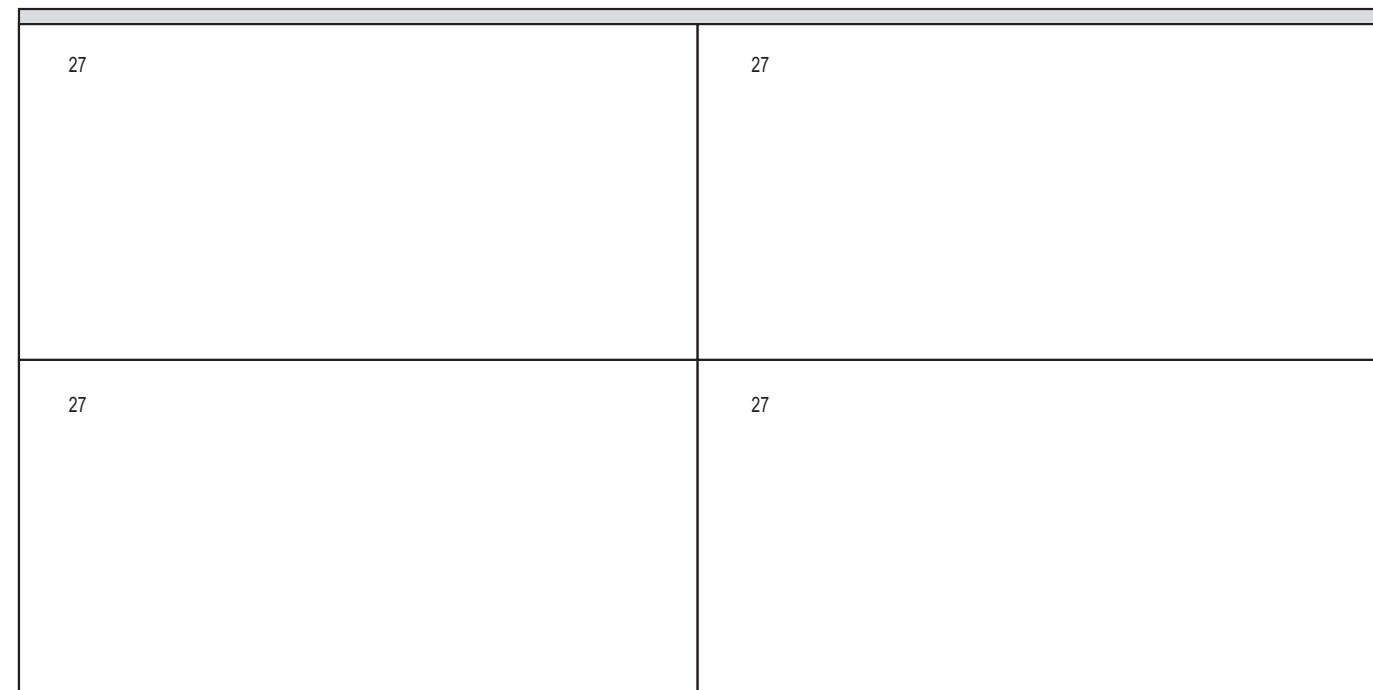
Recommended Back Loaded Horn Type Enclosure



- This tall case clock style box plan is the full-fledged back loaded horn enclosure for FE108Eσigma.
- Well turned low frequency realizes tight and massive sound with perceptible fast response.
- Effectively downscaled baffle size realizes prior sound field and image localization, and ensures FE108Eσigma's dynamic sound with an abundance of energy.

Cutting Size Chart (1set, unit:mm)

No.	Size (W x H)	Qty	No.	Size (W x H)	Qty
1	170 x 210	1	16	170 x 80	1
2	170 x 395	2	17	170 x 65	1
3	170 x 144	1	18	170 x 50	2
4	170 x 285	1	19	170 x 36	1
5	170 x 271	1	20	170 x 25	1
6	170 x 315	1	21	335 x 36	1
7	170 x 425	1	22	271 x 45	1
8	170 x 250	1	23	532 x 50	1
9	170 x 80	1	24	410 x 50	1
10	170 x 900	1	25	250 x 50	1
11	170 x 532	1	26	265 x 50	1
12	170 x 200	2	27	900 x 445	2
13	170 x 155	1	28	810 x 50	3
14	170 x 125	1	29	60 x 50	6
15	170 x 100	1			



		29	29	29	29	29	29							
1	11	13	13	16	16	20	20	18	18	18	18	15	15	
1	11	12	12	12	12	3	3							
		2	2	7	4	5								
		2	2	7	4	5								
							10							10

6	6	14	14	17	17
8	8	22	22		
		21		19	
		21		19	
		26		25	
		26		25	
		24			
		24			
		23			
28				29	
28				29	
28				29	
28				29	
28				29	

